

ICG IC2/BELT DRIVE/MATT BLACK REV1

IC-IC2B1-01

Parts Manual

12/6/2022 8:22:53 AM

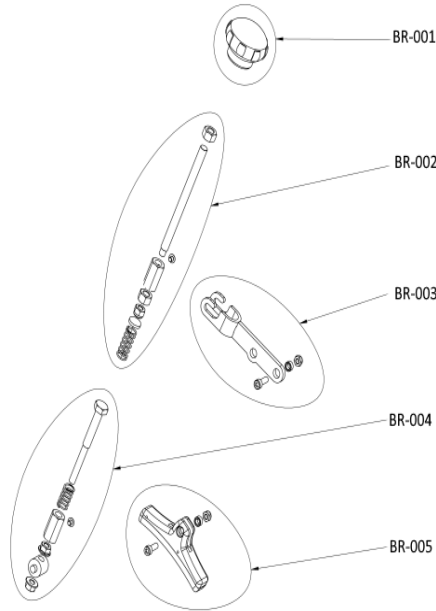


LifeFitness
WHAT WE LIVE FOR

Table of Contents

BRAKE	3
CHAIN GUARD	4
ELECTRONICS	5
FRAME	6
HANDLEBAR STEM	7
MAIN DRIVE	8
SEATPOST SADDLE	9
STABILISERS	10

BRAKE



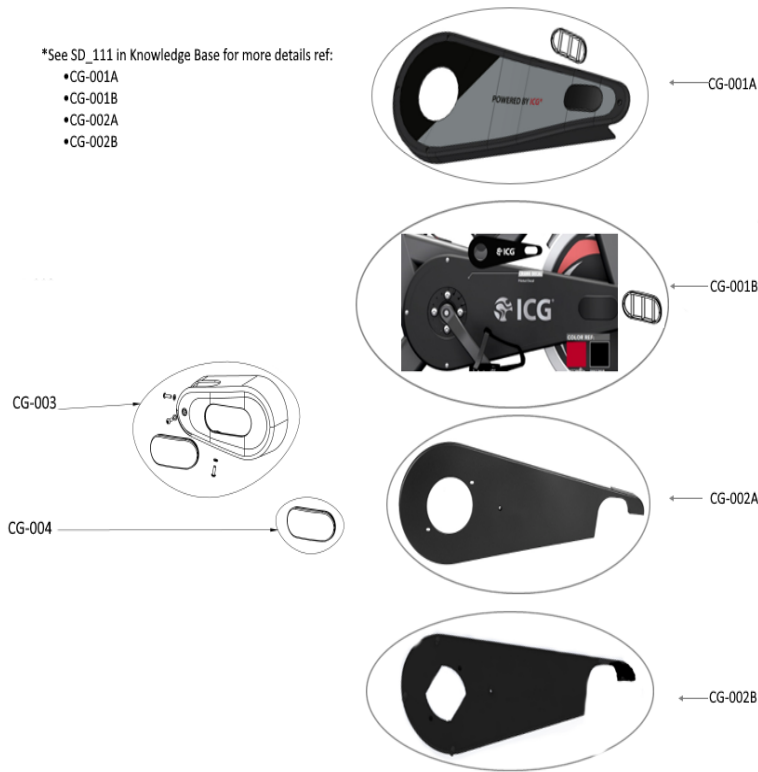
*All hardware and fixings (screws, washers, bolts etc) are included with each referenced assembly

Ref #	Part Number	Qty	Description
BR-001	130-03-00032-01	1	BRAKE ADJUST KNOB & EMERGENCY STOP KNOB IC1 & IC2
BR-002	130-01-00021-01	1	UPPER BRAKE SYSTEM INCL. MOUNTING PARTS IC1 & IC2
BR-003	130-01-00022-01	1	BELL CRANK KIT - LOWER BRAKE YOKE FOR IC1 & IC2
BR-004	130-01-00023-01	1	LOWER BRAKE SYSTEM INCL. MOUNTING PARTS IC1 & C2
BR-005	130-01-00005-01	1	BRAKE PAD KIT

CHAIN GUARD

*See SD_111 in Knowledge Base for more details ref:

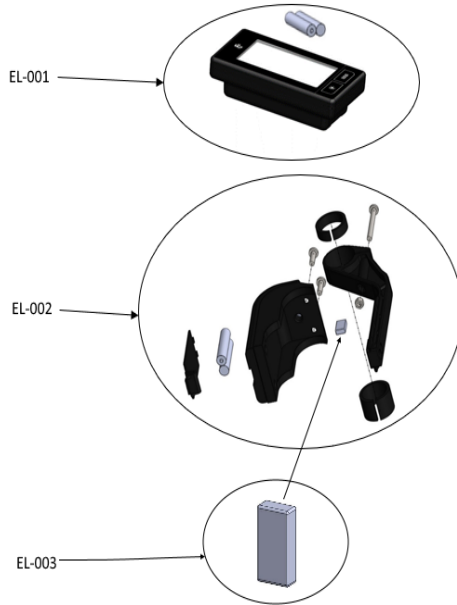
- CG-001A
- CG-001B
- CG-002A
- CG-002B



*All hardware and fixings (screws, washers, bolts etc) are included with each referenced assembly

Ref #	Part Number	Qty	Description
CG-001A,CG-001B	160-01-00015-01	2	OUTER CHAIN GUARD WITH DECALS (VERSION 2012) IC1 & IC2
CG-002B	160-01-00017-02	1	INNER CHAINGUARD (VERSION 2008) FOR IC1 & IC2
CG-002A	160-01-00017-01	1	INNER CHAINGUARD (VERSION 2008) FOR IC1 & IC2
CG-003	160-01-00016-01	1	LEFT FLYWHEEL HUB COVER WITH DECALS (VERSION 2012) IC1 & IC2
CG-004	160-03-00033-01	1	RUBBER SERVICE POP OUT OUTER CHAINGUARD BLACK IC1 & IC2

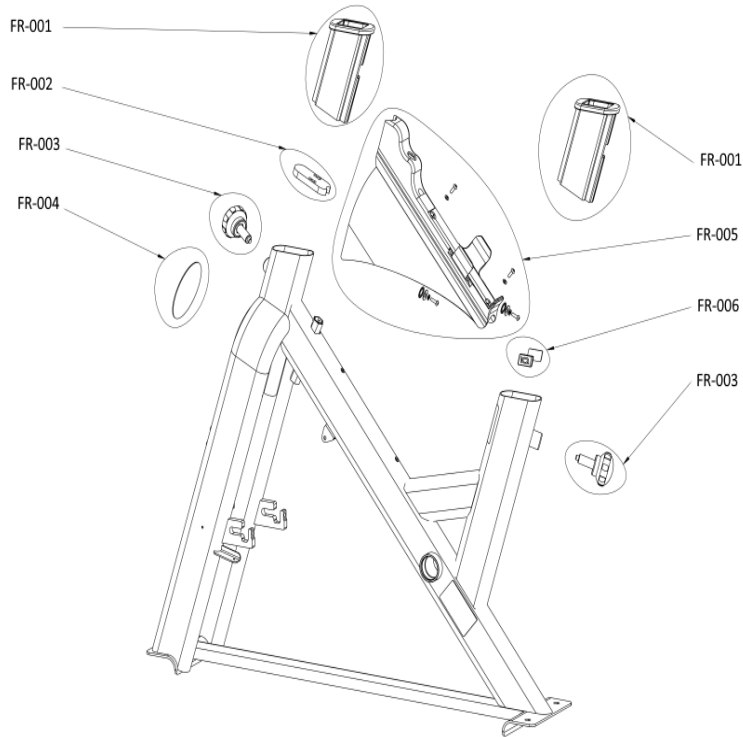
ELECTRONICS



*All hardware and fixings (screws, washers, bolts etc) are included with each referenced assembly

Ref #	Part Number	Qty	Description
EL-001	320-00-00001-01	1	ANT+ COMPUTER WIRELESS INCL. BATTs AND BOLTS IC2 & IC3 & IC5
EL-002	320-00-00002-01	1	ANT+ BIKE MOUNTING AND TRANSMITTER KIT IC2 & IC3
EL-003	900-11-00003-01	1	BRICK MAGNET 15 X 10 X 5MM

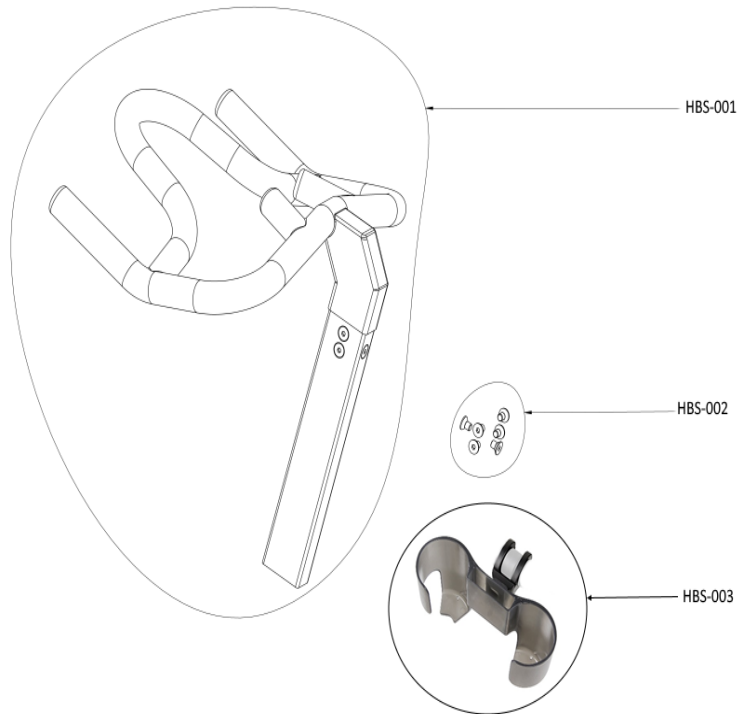
FRAME



*All hardware and fixings (screws, washers, bolts etc) are included with each referenced assembly

Ref #	Part Number	Qty	Description
FR-001	100-03-00079-01	1	INLAY SLEEVE HBAR + SEATPOST TUBE FOR IC1 & IC2
FR-002	100-03-00020-01	1	RUBBER STOP - HANDLEBAR TUBE FOR IC1 & IC2 & IC3
FR-003	180-01-00027-01	1	POP PIN ADJUST KNOB WITH 25 PUNCH HOLES, BLACK IC2
FR-004	100-09-00003-02	1	DECAL TRIBAL - FRONT K - TRANSFER BADGE IC1 & IC2 & IC3
FR-005	100-01-00013-01	1	SWEATGUARD WITH BOTTLEHOLDER BLACK IC1 & IC2
FR-006	100-09-00053-01	1	DECAL IC2 - ALUMINIUM BADGE - RIGHT AND LEFT

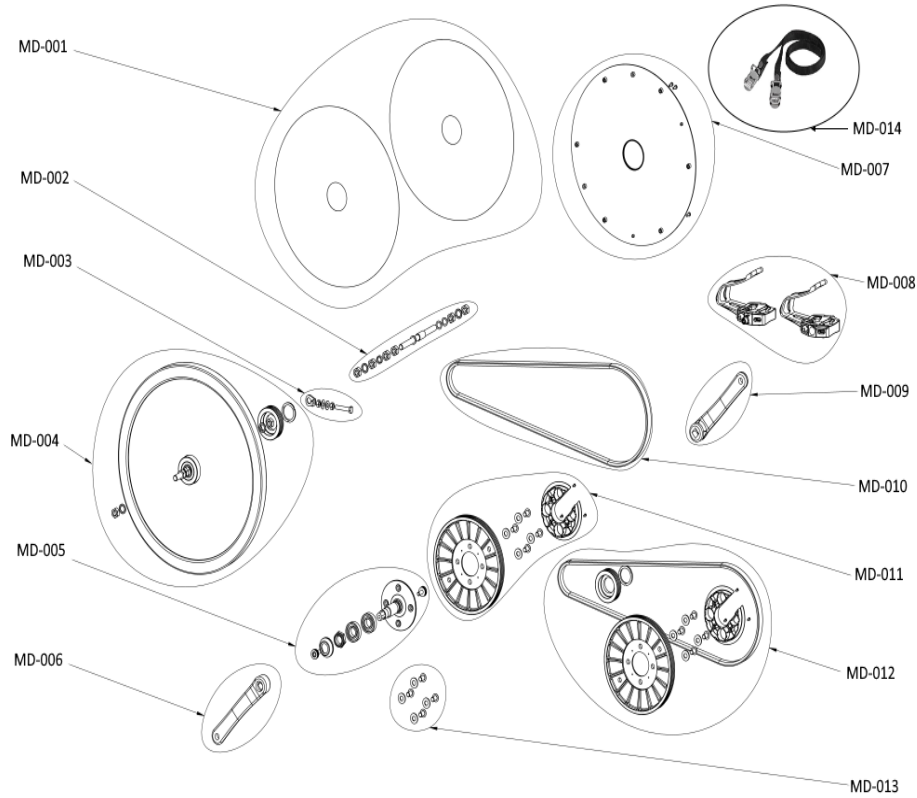
HANDLEBAR STEM



*All hardware and fixings (screws, washers, bolts etc) are included with each referenced assembly

Ref #	Part Number	Qty	Description
HBS-001	110-01-00016-01	1	HBAR ASSEM VERTICAL WITH (VERSION 2008) IC2
HBS-002	110-01-00017-01	1	HANDLEBAR MOUNTING KIT FOR IC2
HBS-003	110-01-00018-01	1	DUAL BOTTLE HOLDER HBAR MOUNTING INCL. BRACKET IC2

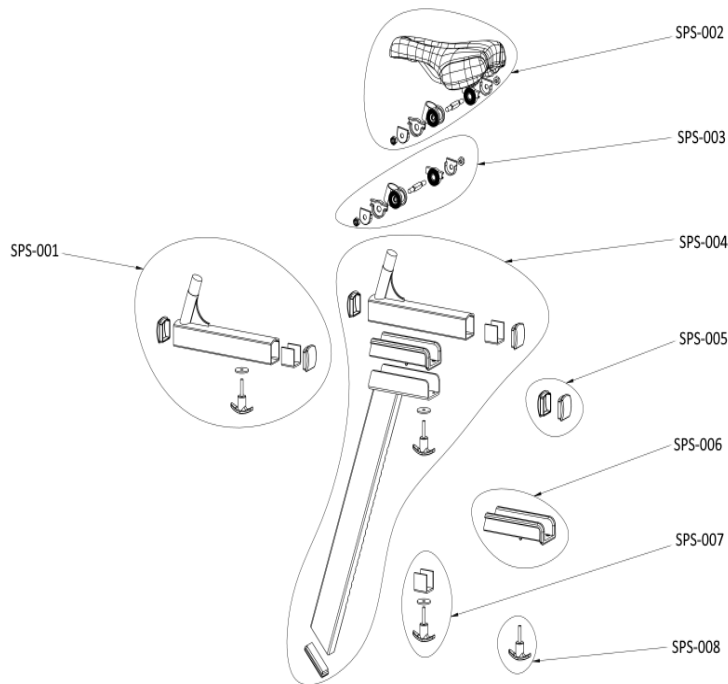
MAIN DRIVE



*All hardware and fixings (screws, washers, bolts etc) are included with each referenced assembly

Ref #	Part Number	Qty	Description
MD-001	150-01-00147-01	1	FLYWHEEL COVER DECAL SET FOR IC1 & IC2 & IC3
MD-002	150-01-00045-01	1	FLYWHEEL AXLE KIT FOR IC1 & IC2
MD-003	150-01-00042-01	1	BELT TENSIONER WITH LOCK NUT FOR IC1 & IC2
MD-004	150-01-00051-02	1	FLYWHEEL (15 KG) ASSEMBLY FOR V-BELT DRIVE FOR IC2
MD-005	150-01-00053-01	1	BOTTOM BRACKET KIT FOR IC1 & IC2
MD-006	150-03-00250-01	1	LEFT CRANK ARM, RED FOR IC1 & IC2
MD-007	150-03-00014-02	1	FLYWHEEL PLASTIC COVER LEFT OR RIGHT
MD-008	150-01-00005-04	1	Pedal VP-S5
MD-009	150-03-00251-01	1	RIGHT CRANK ARM, RED FOR IC1 & IC2
MD-010	150-03-00001-02	1	POLY V BELT PL4 1397 FOR IC1 & IC2 & IC3
MD-011	150-01-00007-02	1	CRANK PULLEY KIT FOR V-BELT DRIVE FOR IC1 & IC2 &
MD-012	190-01-00040-01	1	BELT DRIVE FOR IC1 & IC2
MD-013	150-01-00008-01	1	CRANK PULLEY MOUNTING SET FOR IC1 & IC2 & IC3
MD-014	150-03-00048-01	1	TOE STRAP SET

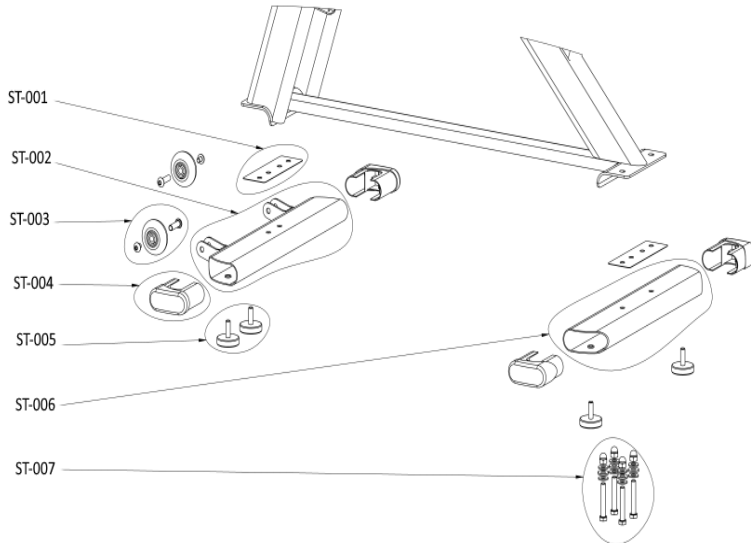
SEATPOST SADDLE



*All hardware and fixings (screws, washers, bolts etc) are included with each referenced assembly

Ref #	Part Number	Qty	Description
SPS-001	120-01-00019-01	1	SEATPOST SLIDER ASSEMBLY FOR IC2
SPS-002	120-01-00076-01	1	SPORT SADDLE BLACK INCL. SADDLE CLAMP WITHOUT STOP
SPS-003	120-01-00017-01	1	SADDLE CLAMP WITHOUT STOPPER
SPS-004	120-01-00020-01	1	SEATPOST ASSEMBLY FOR IC2
SPS-005	120-01-00011-01	1	END CAP SET SEATSLIDER FOR IC2
SPS-006	120-03-00013-01	1	PLASTIC INSERT SLEEVE GUIDE ROD OF SEATPOST STEM ASSEM IC2
SPS-007	120-01-00018-01	1	T-HANDLE ASSEM SEATPOST SLIDER (VERSION 2009) IC2
SPS-008	180-03-00100-01	1	T-HANDLE (M6) FOR IC2

STABILISERS



*All hardware and fixings (screws, washers, bolts etc) are included with each referenced assembly

Ref #	Part Number	Qty	Description
ST-001	140-03-00024-01	1	PVC GASKET FOR STABILIZER FOR IC1 & IC2
ST-002	140-02-00021-01	1	FRONT STABILIZER WELDMENT FOR IC2
ST-003	140-01-00003-01	1	TRANSPORTATION WHEEL ASSEM IC2 & IC3 & IC5 & IC7
ST-004	140-03-00020-01	1	STABILIZER END CAP BLACK FOR IC1 & IC2
ST-005	190-01-00027-01	1	LEVELING FEET RUBBER 75 SHORE (2 PCS) IC2 & IC3 & IC5 & IC7
ST-006	140-02-00020-01	1	REAR STABILIZER WELDMENT FOR IC2
ST-007	140-01-00025-01	1	STABILIZER MOUNTING KITFOR IC1 & IC2

